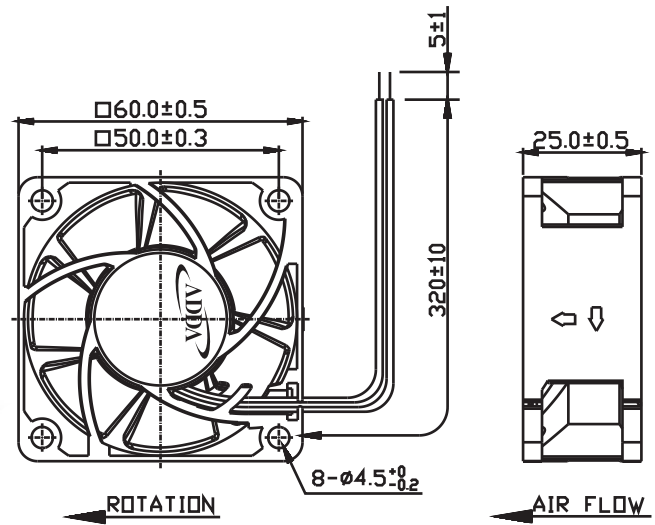




AG6025(T) SERIES

External Dimensions



Frame:Plastic(UL:94V-0)
 Impeller:Plastic(UL:94V-0)
 Lead wire:UL1061AWG26

Specifications(Nominal)

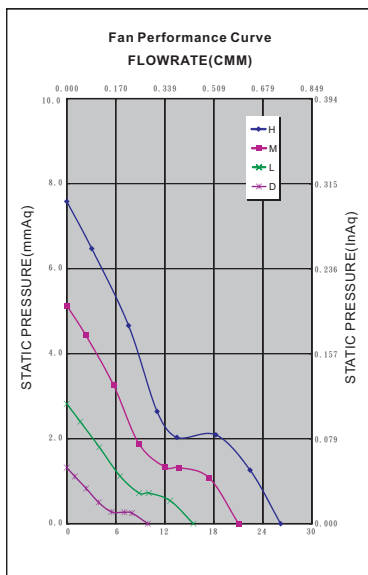
*Noise is measured at the distance of one (1) meter from the axis of intake.

Bearing type: ◎=Ball ※=Sleeve ●=Hypro bearing

Frame size (mm)	Model No.	Bearing System Type	Rated Voltage (VDC)	Current (A)	Power (W)	Rated Speed (rpm)	Maximum AirFlow (CMM) (CFM)	Maximum Pressure (InAq) (mmAq)	*Noise Level (dB/A)	Weight (g)
60x60x25	AG06012DB257602	◎ ●	12	0.04	0.48	2000	0.280 9.920	0.052 1.320	17.5	62.0
	AG06012LB257602	◎ ●	12	0.06	0.72	3000	0.440 15.500	0.111 2.820	23.6	
	AG06012MB257602	◎ ●	12	0.08	0.96	4000	0.600 21.030	0.202 5.1300	29.3	
	AG06012HB257602	◎ ●	12	0.17	2.04	5000	0.740 26.180	0.298 7.570	38.4	
	AG06024LB257602	◎ ●	24	0.03	0.72	3000	0.440 15.500	0.111 2.820	23.6	
	AG06024MB257602	◎ ●	24	0.05	1.20	4000	0.600 21.030	0.202 5.1300	29.3	
	AG06024HB257602	◎ ●	24	0.09	2.16	5000	0.740 26.180	0.298 7.570	38.4	

Specifications subject to change without notice.

The specification for bearing type is for reference only , for more bearing types information, please contact with your ADDA sales representative, thanks!!
 (網頁上呈現產品軸承資訊均以參考為主, 若需其他產品資訊請聯絡您在ADDA的業務代表, 謝謝!!)



*Motor protective circuit and third lead wire functions

0	1	2	3	4	6	7	8	9	A	B	F
✓					✓						

*Safety approvals

✓	✓		✓	✓