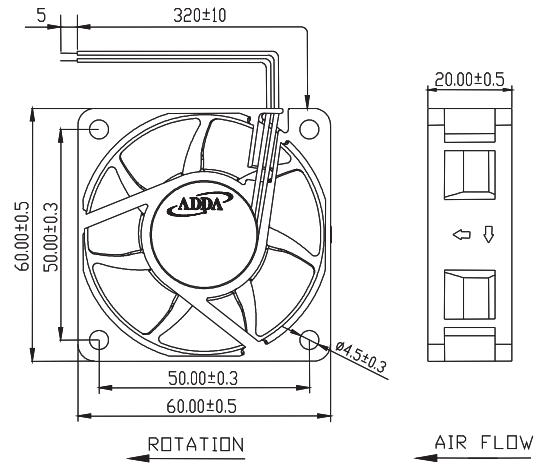
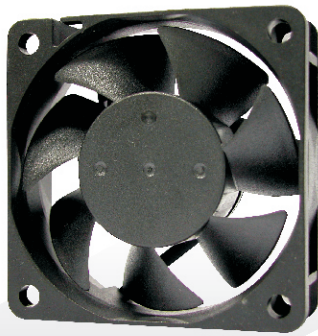




AG6020 SERIES

External Dimensions



Frame:Plastic(UL:94V-0)
 Impeller:Plastic(UL:94V-0)
 Lead wire:UL1007AWG26

Specifications(Nominal)

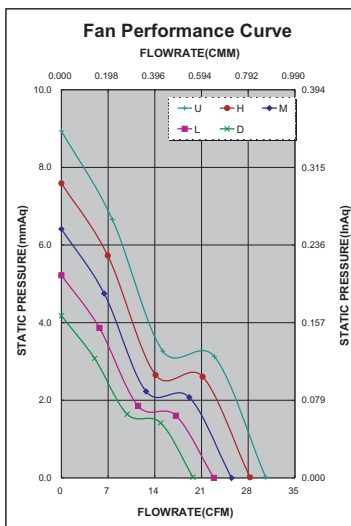
*Noise is measured at the distance of one (1) meter from the axis of intake.

Bearing type: ◎=Ball ※=Sleeve ●=Hypro bearing

Frame size (mm)	Model No.	Bearing System Type	Rated Voltage (VDC)	Current (A)	Power (W)	Rated Speed (rpm)	Maximum AirFlow (CMM)	Maximum AirFlow (CFM)	Maximum Pressure (InAq)	Maximum Pressure (mmAq)	*Noise Level (dB/A)	Weight (g)
60x60x20	AG06012DB207300	◎ ●	12	0.16	1.92	4000	0.558	19.728	0.164	4.165	35.1	56.0
	AG06012LB207300	◎ ●	12	0.18	2.16	4500	0.606	21.419	0.203	5.156	36.6	
	AG06012MB207300	◎ ●	12	0.20	2.40	5000	0.707	25.000	0.260	6.604	39.0	
	AG06012HB207300	◎ ●	12	0.23	2.76	5500	0.825	29.140	0.323	8.210	42.1	
	AG06012UB207300	◎ ●	12	0.28	3.36	6000	0.863	30.500	0.370	9.418	43.5	
	AG06024DB207300	◎ ●	24	0.10	2.40	4000	0.558	19.728	0.164	4.165	35.1	
	AG06024LB207300	◎ ●	24	0.12	2.88	4500	0.606	21.419	0.203	5.156	36.6	
	AG06024MB207300	◎ ●	24	0.14	3.36	5000	0.707	25.000	0.260	6.604	39.0	
	AG06024HB207300	◎ ●	24	0.16	3.84	5500	0.825	29.140	0.323	8.210	42.1	
	AG06024UB207300	◎ ●	24	0.19	4.56	6000	0.863	30.500	0.370	9.418	43.5	
	AG06012DX207600	◎ ●	12	0.16	1.92	4000	0.558	19.728	0.164	4.165	35.1	
	AG06012LX207600	◎ ●	12	0.18	2.16	4500	0.606	21.419	0.203	5.156	36.6	
	AG06012MX207600	◎ ●	12	0.22	2.64	5000	0.707	25.000	0.260	6.604	39.0	
	AG06012HX207600	◎ ●	12	0.26	3.12	5500	0.825	29.140	0.323	8.210	42.1	
	AG06012UX207600	◎ ●	12	0.32	3.84	6000	0.863	30.500	0.370	9.418	43.5	

Specifications subject to change without notice.

The specification for bearing type is for reference only , for more bearing types information, please contact with your ADDA sales representative, thanks!!
 (網頁上呈現產品軸承資訊均以2Ball為主, 若需其他產品資訊請聯絡您在ADDA的業務代表, 謝謝!!)



*Motor protective circuit and third lead wire functions

0	1	2	3	4	6	7	8	9	A	B
✓	✓		✓		✓					

*Safety approvals

✓	✓		✓	✓