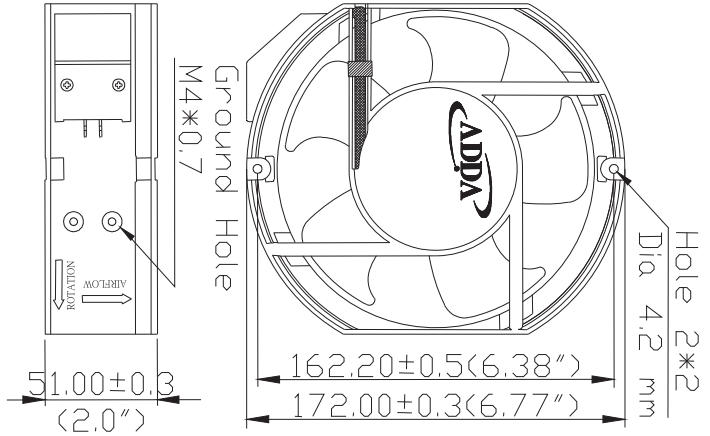




AK17251(AK165) SERIES

External Dimensions



Frame: Aluminum Alloy
 Impeller: Plastic (UL:94V-0)
 Motor Structure: Shaded Pole Induction Motor.
 Motor Protection: Impedance Protect.
 Lead wire: UL 1007AWG18
 OPERATING TEMP*: -10°C~70°C
 *: -10°C~60°C for fans with sleeve/ball combination bearings.

Specifications(Nominal)

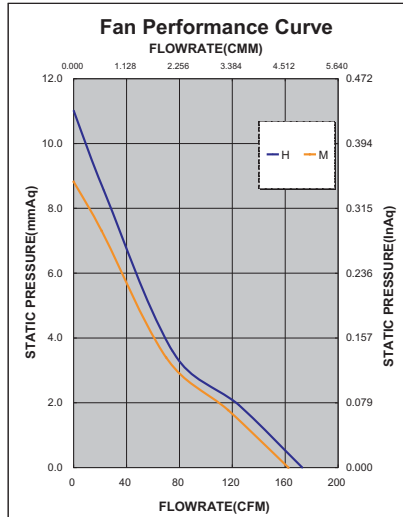
*: Noise is measured at the distance of one (1) meter from the axis of intake.

Bearing type: ⊙=Ball ⊛=Sleeve ●=Hypro bearing

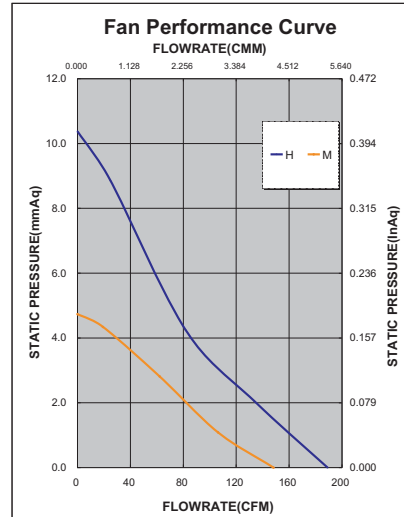
Frame size (mm)	Model No.	Bearing System Type	Volt. (VAC)	Freq. (Hz)	Current (A)	Power (W)	Rated Speed (rpm)	Maximum AirFlow (CMM)	Maximum AirFlow (CFM)	Maximum Pressure (InAq)	Maximum Pressure (mmAq)	*Noise Level (dB/A)	Weight (g)
172x150x51	AK1651MB	⊙	115	50/60	0.33/0.31	36.80/34.50	2400/2300	4.528/3.962	160.0/140.0	0.340/0.180	8.636/4.572	53.0/50.3	1050
	AK1652MB		230		0.17/0.17	36.80/36.80							
	AK1651HB	⊙	115	50/60	0.55/0.46	62.10/51.80	2600/2700	4.867/5.348	172.0/189.0	0.433/0.408	10.998/10.363	55.5/57.7	
	AK1652HB		230		0.27/0.23	59.80/50.60							

Specifications subject to change without notice.

50Hz



60Hz



*Safety approvals

✓	✓		✓	✓