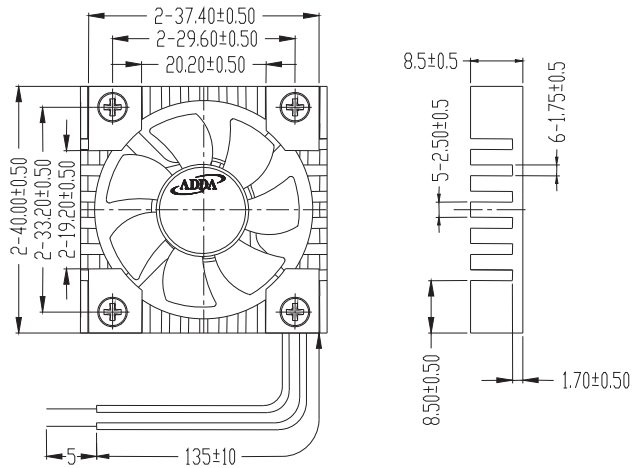
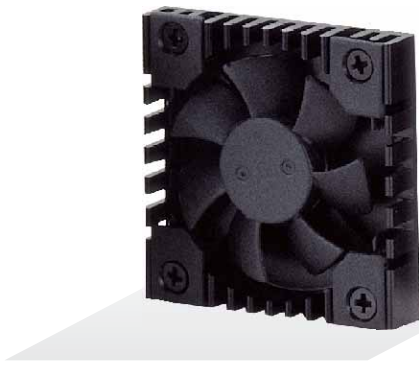




# AP4008 SERIES

## External Dimensions



Frame:Plastic(UL:94V-0)  
Impeller:Plastic(UL:94V-0)  
Lead wire:UL1571AWG28

## Specifications(Nominal)

\*:Noise is measured at the distance of one (1) meter from the axis of intake.

Bearing type: ⊙=Ball ⊛=Sleeve ●=Hypro bearing

| Frame size (mm) | Model No.    | Bearing System Type | Rated Voltage (VDC) | Current (A) | Power (W) | Rated Speed (rpm) | Maximum AirFlow |       | Maximum Pressure |        | *Noise Level (dB/A) | Weight (g) |
|-----------------|--------------|---------------------|---------------------|-------------|-----------|-------------------|-----------------|-------|------------------|--------|---------------------|------------|
|                 |              |                     |                     |             |           |                   | (CMM)           | (CFM) | (InAq)           | (mmAq) |                     |            |
| 40x40x08        | AP0405MX-J70 | ●                   | 5                   | 0.10        | 0.50      | 7000              | 0.133           | 4.70  | 0.111            | 2.78   | 28.0                | 15.0       |
|                 | AP0412MX-J70 | ●                   | 12                  | 0.06        | 0.72      | 7000              | 0.133           | 4.70  | 0.111            | 2.78   | 28.0                |            |

Specifications subject to change without notice.

The specification for bearing type is for reference only , for more bearing types information, please contact with your ADDA sales representative, thanks!!  
(網頁上呈現產品軸承資訊均以參考為主，若需其他產品資訊請聯絡您在ADDA的業務代表，謝謝!!)

\*Motor protective circuit and third lead wire functions

|   |   |   |   |   |   |   |   |   |   |   |
|---|---|---|---|---|---|---|---|---|---|---|
| 0 | 1 | 2 | 3 | 4 | 6 | 7 | 8 | 9 | A | B |
| ✓ |   |   | ✓ |   |   |   |   |   |   |   |

\*Safety approvals

|  |  |  |  |   |
|--|--|--|--|---|
|  |  |  |  |   |
|  |  |  |  | ✓ |