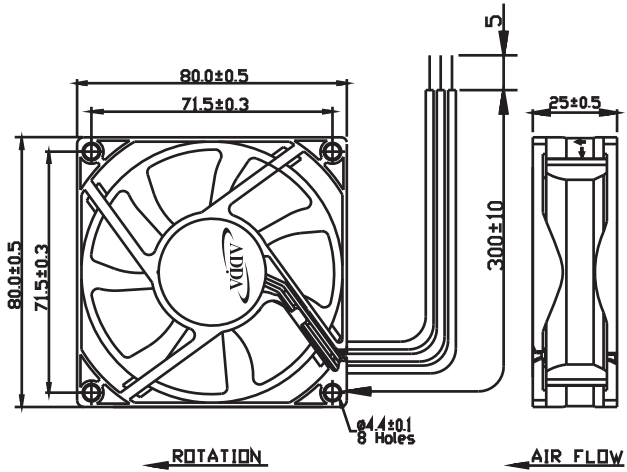




AD8025(T) SERIES

External Dimensions



Frame:Plastic(UL:94V-0)
 Impeller:Plastic(UL:94V-0)
 Lead wire:UL1007AWG24

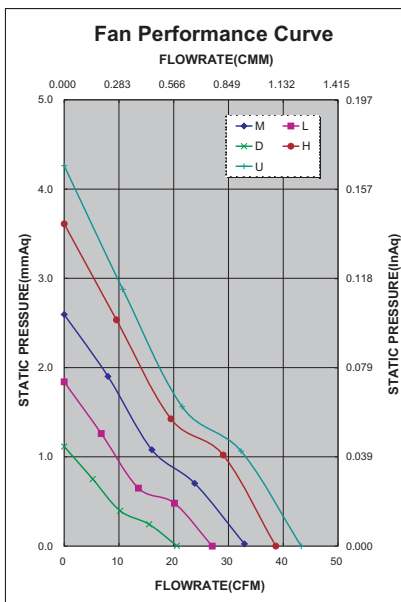
Specifications(Nominal)

*Noise is measured at the distance of one (1) meter from the axis of intake.

Frame size (mm)	Model No.	Bearing System Type	Rated Voltage (VDC)	Current (A)	Power (W)	Rated Speed (rpm)	Maximum AirFlow		Maximum Pressure		*Noise Level (dB/A)	Weight (g)
							(CMM)	(CFM)	(InAq)	(mmAq)		
80x80x25	AD0812DB-A76GL(LTC)	◎※●	12	0.05	0.60	1600	0.611	21.607	0.046	1.168	14.0	86.0
	AD0812LB-A76GL(LTC)	◎※●	12	0.08	0.96	2100	0.803	28.387	0.075	1.905	22.1	
	AD0812MB-A76GL(LTC)	◎※●	12	0.12	1.44	2500	0.950	33.400	0.117	2.971	28.3	
	AD0812HB-A76GL(LTC)	◎※●	12	0.21	2.52	3000	1.139	40.259	0.154	3.911	33.4	
	AD0812UB-A76GL(LTC)	◎※●	12	0.23	2.76	3400	1.305	46.132	0.201	5.105	38.5	
	AD0824LB-A76GL(LTC)	◎※●	24	0.04	0.96	2100	0.803	28.387	0.075	1.905	22.1	
	AD0824MB-A76GL(LTC)	◎※●	24	0.07	1.68	2500	0.950	33.400	0.117	2.971	28.3	
	AD0824HB-A76GL(LTC)	◎※●	24	0.10	2.40	3200	1.244	43.987	0.178	4.521	35.4	

Specifications subject to change without notice.

The specification for bearing type is for reference only , for more bearing types information, please contact with your ADDA sales representative, thanks!!
 (網頁上呈現產品軸承資訊均以2Ball為主，若需其他產品資訊請聯絡您在ADDA的業務代表，謝謝！！)



*Motor protective circuit and third lead wire functions

0	1	2	3	4	6	7	8	9	A	B
✓					✓					

*Safety approvals

✓	✓	✓	✓	✓