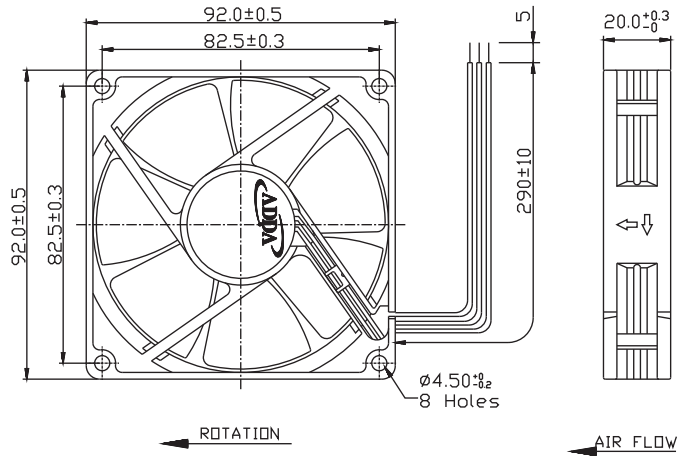




# AD9220(T) SERIES



## External Dimensions



Frame:Plastic(UL:94V-0)  
 Impeller:Plastic(UL:94V-0)  
 Lead wire:UL1007AWG24

## Specifications(Nominal)

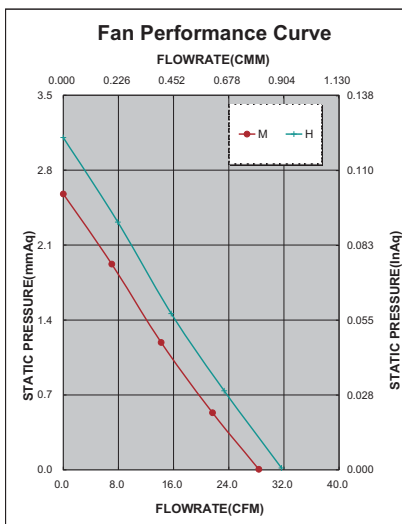
\*:Noise is measured at the distance of one (1) meter from the axis of intake.

Bearing type: ◎=Ball ※=Sleeve ●=Hypro bearing

| Frame size (mm) | Model No.       | Bearing System Type | Rated Voltage (VDC) | Current (A) | Power (W) | Rated Speed (rpm) | Maximum AirFlow (CMM) | Maximum AirFlow (CFM) | Maximum Pressure (InAq) | Maximum Pressure (mmAq) | *Noise Level (dB/A) | Weight (g) |
|-----------------|-----------------|---------------------|---------------------|-------------|-----------|-------------------|-----------------------|-----------------------|-------------------------|-------------------------|---------------------|------------|
| 92x92x20        | AD0912MB-C76(T) | ◎ ※ ●               | 12                  | 0.12        | 1.44      | 2430              | 0.803                 | 28.362                | 0.101                   | 2.578                   | 34.0                | 81.0       |
|                 | AD0912HB-C76(T) | ◎ ※ ●               | 12                  | 0.15        | 1.80      | 2700              | 0.896                 | 31.657                | 0.122                   | 3.105                   | 36.7                |            |
|                 | AD0924MB-C76(T) | ◎ ※ ●               | 24                  | 0.06        | 1.44      | 2430              | 0.803                 | 28.362                | 0.101                   | 2.578                   | 34.0                |            |
|                 | AD0924HB-C76(T) | ◎ ※ ●               | 24                  | 0.09        | 2.16      | 2700              | 0.896                 | 31.657                | 0.122                   | 3.105                   | 36.7                |            |

Specifications subject to change without notice.

The specification for bearing type is for reference only , for more bearing types information, please contact with your ADDA sales representative, thanks!!  
 (網頁上呈現產品軸承資訊均以2Ball為主，若需其他產品資訊請聯絡您在ADDA的業務代表，謝謝!!)



\*Motor protective circuit and third lead wire functions

| 0 | 1 | 2 | 3 | 4 | 6 | 7 | 8 | 9 | A | B |
|---|---|---|---|---|---|---|---|---|---|---|
| ✓ |   |   |   |   | ✓ |   |   |   |   |   |

\*Safety approvals

|   |   |   |   |   |
|---|---|---|---|---|
|   |   |   |   |   |
| ✓ | ✓ | ✓ | ✓ | ✓ |