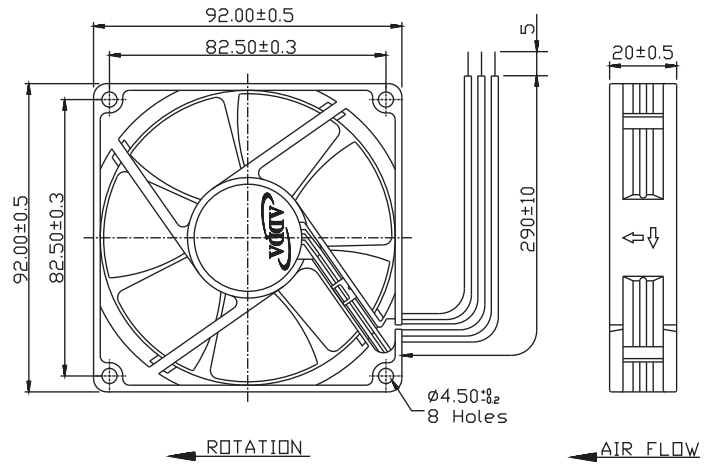




AD9220 SERIES

External Dimensions



Frame: Plastic(UL:94V-0)
 Impeller: Plastic(UL:94V-0)
 Lead wire: UL1007AWG24

Specifications(Nominal)

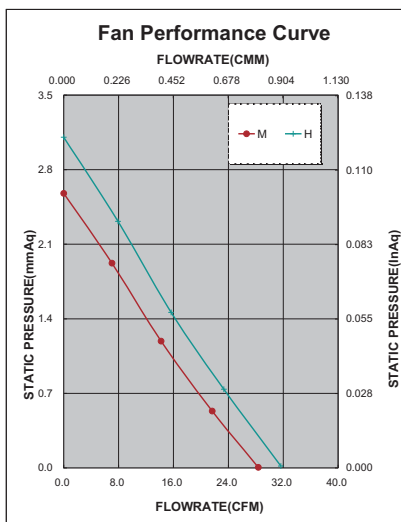
*Noise is measured at the distance of one (1) meter from the axis of intake.

Bearing type: ○=Ball ※=Sleeve ●=Hypro bearing

Frame size (mm)	Model No.	Bearing System Type	Rated Voltage (VDC)	Current (A)	Power (W)	Rated Speed (rpm)	Maximum AirFlow (CMM)	Maximum AirFlow (CFM)	Maximum Pressure (InAq)	Maximum Pressure (mmAq)	*Noise Level (dB/A)	Weight (g)
92x92x20	AD0912MB-C73(N)	○ ※ ●	12	0.09	1.08	2430	0.803	28.362	0.101	2.578	34.0	81.0
	AD0912HB-C73(N)	○ ※ ●	12	0.12	1.44	2700	0.896	31.657	0.122	3.105	36.7	
	AD0924MB-C73(N)	○ ※ ●	24	0.07	1.68	2430	0.803	28.362	0.101	2.578	34.0	
	AD0924HB-C73(N)	○ ※ ●	24	0.09	2.16	2700	0.896	31.657	0.122	3.105	36.7	

Specifications subject to change without notice.

The specification for bearing type is for reference only, for more bearing types information, please contact with your ADDA sales representative, thanks!!
 (網頁上呈現產品軸承資訊均以2Ball為主，若需其他產品資訊請聯絡您在ADDA的業務代表，謝謝!!)



*Motor protective circuit and third lead wire functions

0	1	2	3	4	6	7	8	9	A	B
	✓	✓	✓							

*Safety approvals

✓	✓	✓	✓	✓