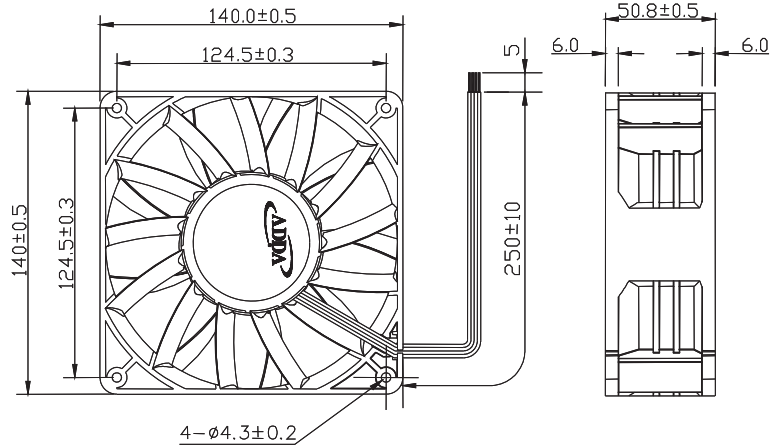




AS14051 SERIES

External Dimensions



Frame: Plastic(UL:94V-0)
 Impeller: Plastic(UL:94V-0)
 Lead wire: UL1007AWG24

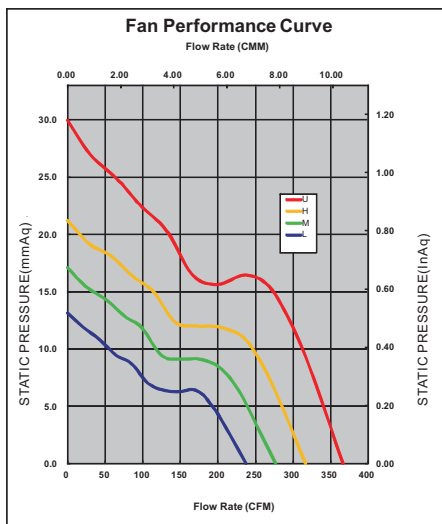
Specifications(Nominal)

*:Noise is measured at the distance of one (1) meter from the axis of intake.

Bearing type: ☉=Ball *Sleeve ●=Hypro bearing

Frame size (mm)	Model No.	Bearing System Type	Rated Voltage (VDC)	Current (A)	Power (W)	Rated Speed (rpm)	Maximum AirFlow (CMM)	Maximum AirFlow (CFM)	Maximum Pressure (InAq)	Maximum Pressure (mmAq)	*Noise Level (dB/A)	Weight (g)
140x140x51	AS14012LB519B00	☉	12	1.80	21.60	2800	6.725	237.500	0.515	13.100	56.0	710.0
	AS14012MB519B00	☉	12	2.80	33.60	3200	7.838	276.800	0.669	17.000	60.0	
	AS14012HB519B00	☉	12	3.20	38.40	3600	8.973	316.900	0.834	21.200	64.0	
	AS14024LB519B00	☉	24	0.80	19.20	2800	6.725	237.500	0.515	13.100	56.0	
	AS14024MB519B00	☉	24	1.10	26.40	3200	7.838	276.800	0.669	17.000	60.0	
	AS14024HB519B00	☉	24	1.50	36.00	3600	8.973	316.900	0.834	21.200	64.0	
	AS14048LB519B00	☉	48	0.36	17.28	2800	6.725	237.500	0.515	13.100	56.0	
	AS14048MB519B00	☉	48	0.51	24.48	3200	7.838	276.800	0.669	17.000	60.0	
	AS14048HB519B00	☉	48	0.73	35.04	3600	8.973	316.900	0.834	21.200	64.0	
AS14048UB519BB0	☉	48	1.10	52.80	4300	10.364	366.000	1.161	29.500	66.5		

Specifications subject to change without notice.



*Motor protective circuit and third lead wire functions

0	1	2	3	4	6	7	8	9	A	B
	✓	✓	✓							✓

*Safety approvals

✓	✓		✓	✓