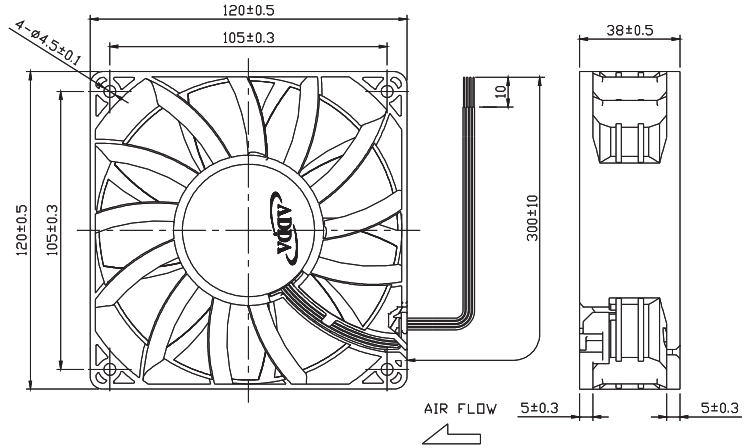




AS12038 SERIES

External Dimensions



Frame:Plastic(UL:94V-0)
 Impeller:Plastic(UL:94V-0)
 Lead wire:UL1430AWG22\24

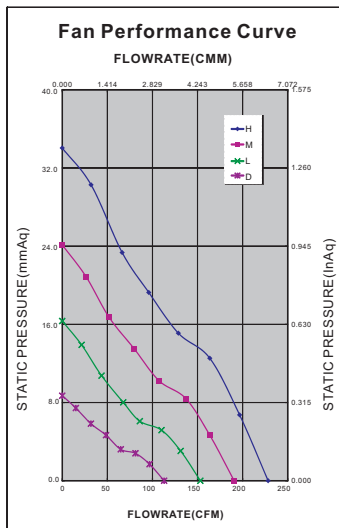
Specifications(Nominal)

*:Noise is measured at the distance of one (1) meter from the axis of intake.

Bearing type: ◎=Ball ※=Sleeve ●=Hypro bearing

Frame size (mm)	Model No.	Bearing System Type	Rated Voltage (VDC)	Current (A)	Power (W)	Rated Speed (rpm)	Maximum AirFlow (CMM)	Maximum AirFlow (CFM)	Maximum Pressure (InAq)	Maximum Pressure (mmAq)	*Noise Level (dB/A)	Weight (g)
120x120x38	AS12012DB389B00	◎	12	0.60	7.20	3000	3.198	113.014	0.343	8.712	49.9	375.0
	AS12012LB389B00	◎	12	1.30	15.60	4000	4.335	153.182	0.643	16.332	57.1	
	AS12012MB389B00	◎	12	2.30	27.60	5000	5.395	190.660	0.950	24.130	63.2	
	AS12012HB389B00	◎	12	3.70	44.40	6000	6.462	228.362	1.340	34.036	67.7	
	AS12024DB389B00	◎	24	0.35	8.40	3000	3.198	113.014	0.343	8.712	49.9	
	AS12024LB389B00	◎	24	0.65	15.60	4000	4.335	153.182	0.643	16.332	57.1	
	AS12024MB389B00	◎	24	1.05	25.20	5000	5.395	190.660	0.950	24.130	63.2	
	AS12024HB389B00	◎	24	1.75	42.00	6000	6.462	228.362	1.340	34.036	67.7	
	AS12048DB389B00	◎	48	0.20	9.60	3000	3.198	113.014	0.343	8.712	49.9	
	AS12048LB389B00	◎	48	0.35	16.80	4000	4.335	153.182	0.643	16.332	57.1	
	AS12048MB389B00	◎	48	0.55	26.40	5000	5.395	190.660	0.950	24.130	63.2	
	AS12048HB389B00	◎	48	0.85	40.80	6000	6.462	228.362	1.340	34.036	67.7	

Specifications subject to change without notice.



*Motor protective circuit and third lead wire functions

0	1	2	3	4	6	7	8	9	A	B
	✓	✓	✓							✓

*Safety approvals

✓	✓		✓	✓