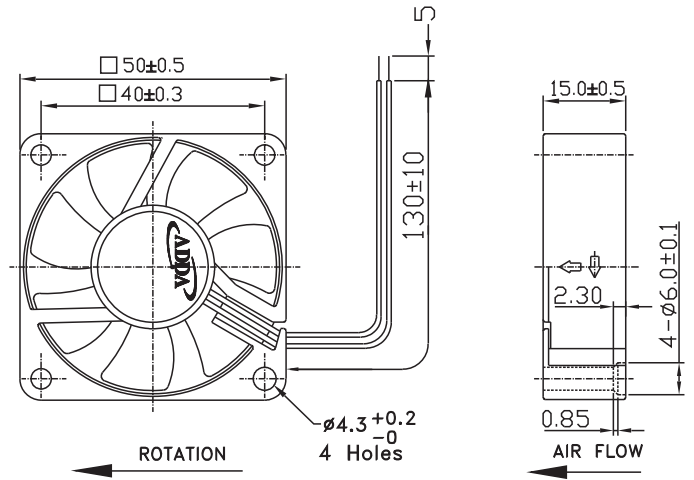
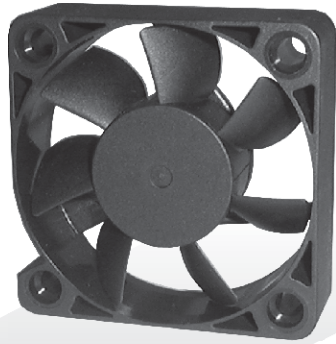




AD5015 SERIES

External Dimensions



Frame:Plastic(UL:94V-0)
 Impeller:Plastic(UL:94V-0)
 Lead wire:UL1007AWG26

Specifications(Nominal)

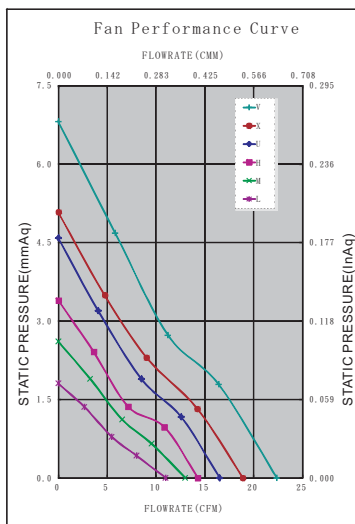
*:Noise is measured at the distance of one (1) meter from the axis of intake.

Bearing type: ◎=Ball ※=Sleeve ●=Hypro bearing

Frame size (mm)	Model No.	Bearing System Type	Rated Voltage (VDC)	Current (A)	Power (W)	Rated Speed (rpm)	Maximum AirFlow (CMM) (CFM)	Maximum Pressure (InAq) (mmAq)	*Noise Level (dB/A)	Weight (g)
50x50x15	AD5005LB-D70(T1)	◎ ●	5	0.13	0.65	3600	0.311 11.000	0.070 1.778	25.0	27.0
	AD5005MB-D70(T1)	◎ ●	5	0.19	0.95	4300	0.367 13.000	0.100 2.540	30.0	
	AD5005HB-D71	◎ ●	5	0.21	1.05	4800	0.404 14.300	0.130 3.302	34.0	
	AD5012LB-D70(T1)	◎ ●	12	0.07	0.84	3600	0.311 11.000	0.070 1.778	25.0	
	AD5012MB-D70(T1)	◎ ●	12	0.08	0.96	4300	0.367 13.000	0.100 2.540	30.0	
	AD5012HB-D70(T1)	◎ ●	12	0.11	1.32	4800	0.404 14.300	0.130 3.302	34.0	
	AD5012UB-D70(T1)	◎ ●	12	0.14	1.68	5500	0.466 16.500	0.180 4.572	37.5	
	AD5024MB-D71	◎ ●	24	0.05	1.20	4300	0.367 13.000	0.100 2.540	30.0	
	AD5024HB-D71	◎ ●	24	0.06	1.44	4800	0.404 14.300	0.130 3.302	34.0	
	AD5024UB-D71	◎ ●	24	0.08	1.90	5500	0.466 16.500	0.180 4.572	37.5	
	AD5024XB-D71	◎ ●	24	0.10	2.40	6300	0.534 18.900	0.200 5.080	39.1	
	AD5024VB-D71	◎ ●	24	0.12	2.88	7000	0.631 22.300	0.268 6.807	42.3	

Specifications subject to change without notice.

The specification for bearing type is for reference only , for more bearing types information, please contact with your ADDA sales representative, thanks!!
 (網頁上呈現產品軸承資訊均以2Ball為主，若需其他產品資訊請聯絡您在ADDA的業務代表，謝謝!!)



*Motor protective circuit and third lead wire functions

0	1	2	3	4	6	7	8	9	A	B
✓	✓	✓	✓		✓			✓		✓

*Safety approvals

✓	✓		✓	✓