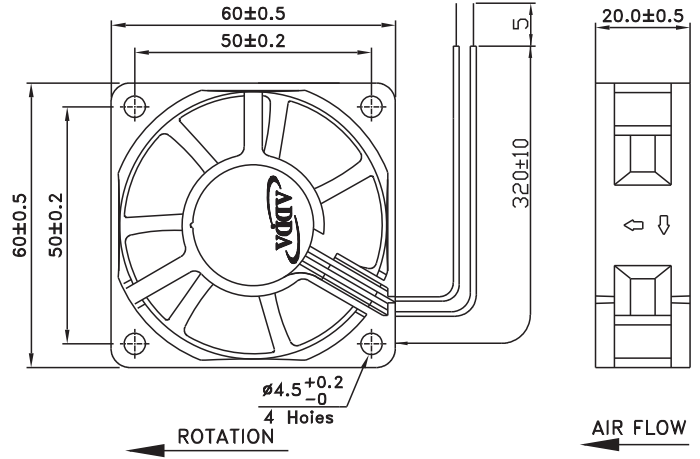




AD6020(T) SERIES

External Dimensions



Frame:Plastic(UL:94V-0)
 Impeller:Plastic(UL:94V-0)
 Lead wire:UL1007AWG26

Specifications(Nominal)

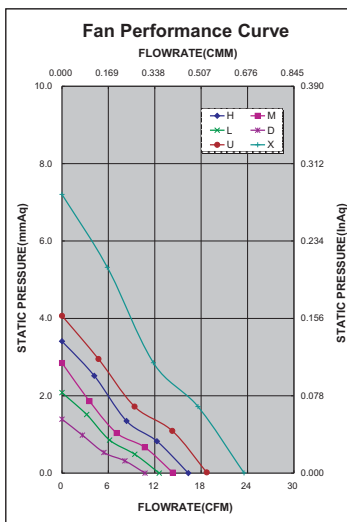
*Noise is measured at the distance of one (1) meter from the axis of intake.

Bearing type: ○=Ball ※=Sleeve ●=Hypro bearing

Frame size (mm)	Model No.	Bearing System Type	Rated Voltage (VDC)	Current (A)	Power (W)	Rated Speed (rpm)	Maximum AirFlow (CMM)	Maximum AirFlow (CFM)	Maximum Pressure (InAq)	Maximum Pressure (mmAq)	*Noise Level (dB/A)	Weight (g)
60x60x20	AD0605DB-C70GL(T)	○ ※ ●	5	0.07	0.35	3000	0.303	10.741	0.054	1.371	18.4	49.0
	AD0605LB-C70GL(T)	○ ※ ●	5	0.12	0.60	3500	0.353	12.502	0.082	2.082	23.5	
	AD0605MB-C70GL(T)	○ ※ ●	5	0.16	0.80	3900	0.404	14.279	0.112	2.844	28.0	
	AD0605HB-C70GL(T)	○ ※ ●	5	0.18	0.90	4600	0.461	16.459	0.140	3.403	31.0	
	AD0612DB-C70GL(T)	○ ※ ●	12	0.05	0.60	3000	0.303	10.741	0.054	1.371	18.4	
	AD0612LB-C70GL(T)	○ ※ ●	12	0.06	0.72	3500	0.353	12.502	0.082	2.082	23.5	
	AD0612MB-C70GL(T)	○ ※ ●	12	0.08	0.96	3900	0.404	14.279	0.112	2.844	28.0	
	AD0612HB-C70GL(T)	○ ※ ●	12	0.10	1.44	4600	0.461	16.459	0.140	3.403	31.0	
	AD0612UB-C70GL(T)	○ ※ ●	12	0.13	1.56	5100	0.529	18.928	0.183	4.064	35.5	
	AD0612XB-C70GL(T)	○ ※ ●	12	0.20	2.40	6100	0.666	23.554	0.283	7.188	39.0	
	AD0624LB-C70GL(T)	○ ※ ●	24	0.04	0.96	3500	0.350	12.500	0.080	2.080	23.5	
	AD0624MB-C70GL(T)	○ ※ ●	24	0.04	0.96	3900	0.404	14.279	0.112	2.844	28.0	
	AD0624LB-C70GL(T)	○ ※ ●	24	0.05	1.20	4500	0.460	16.310	0.130	3.400	31.0	

Specifications subject to change without notice.

The specification for bearing type is for reference only , for more bearing types information, please contact with your ADDA sales representative, thanks!!
 (網頁上呈現產品軸承資訊均以2Ball為主, 若需其他產品資訊請聯絡您在ADDA的業務代表, 謝謝!!)



*Motor protective circuit and third lead wire functions

0	1	2	3	4	6	7	8	9	A	B
✓					✓					

*Safety approvals

✓	✓	✓		✓