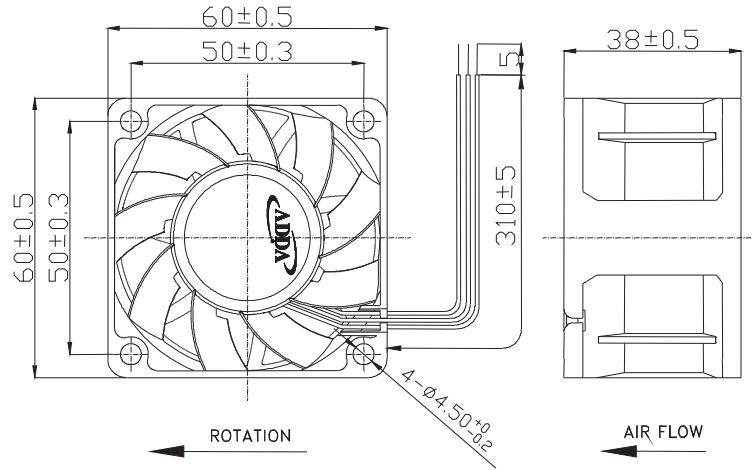




AD6038DS SERIES



External Dimensions



Frame:Plastic(UL:94V-0)
 Impeller:Plastic(UL:94V-0)
 Lead wire:UL1007AWG24

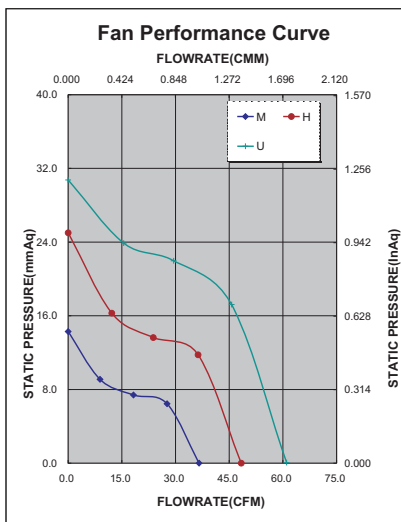
Specifications(Nominal)

*:Noise is measured at the distance of one (1) meter from the axis of intake.

Bearing type: ◎=Ball ※=Sleeve ●=Hypro bearing

Frame size (mm)	Model No.	Bearing System Type	Rated Voltage (VDC)	Current (A)	Power (W)	Rated Speed (rpm)	Maximum AirFlow (CMM)	Maximum AirFlow (CFM)	Maximum Pressure (InAq)	Maximum Pressure (mmAq)	*Noise Level (dB/A)	Weight (g)
60x60x38	AD0612MB-F73DS	◎	12	0.28	3.36	6000	1.034	36.560	0.562	14.274	49.8	109
	AD0612HB-F73DS	◎	12	0.64	7.68	8000	1.368	48.366	0.984	24.993	58.0	
	AD0612UB-F73DS	◎	12	1.40	16.80	10000	1.726	61.000	1.200	30.480	63.6	
	AD0624MB-F73DS	◎	24	0.16	3.84	6000	1.034	36.560	0.562	14.274	49.8	
	AD0624HB-F73DS	◎	24	0.34	8.16	8000	1.368	48.366	0.984	24.993	58.0	
	AD0624UB-F73DS	◎	24	0.70	16.80	10000	1.726	61.000	1.200	30.480	63.6	
	AD0648MB-F73DS	◎	48	0.09	4.32	6000	1.034	36.560	0.562	14.274	49.8	
	AD0648HB-F73DS	◎	48	0.20	9.60	8000	1.368	48.366	0.984	24.993	58.0	
AD0648UB-F73DS	◎	48	0.38	18.24	10000	1.726	61.000	1.200	30.480	63.6		

Specifications subject to change without notice.



*Motor protective circuit and third lead wire functions

0	1	2	3	4	6	7	8	9	A	B
	✓	✓	✓					✓		✓

*Safety approvals

✓	✓		✓	✓