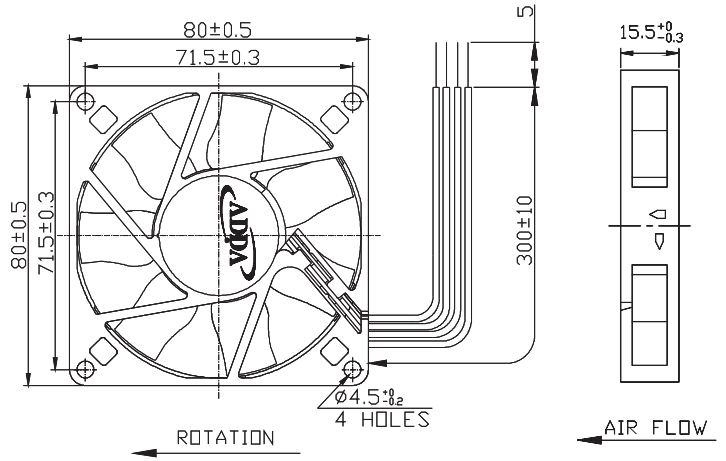
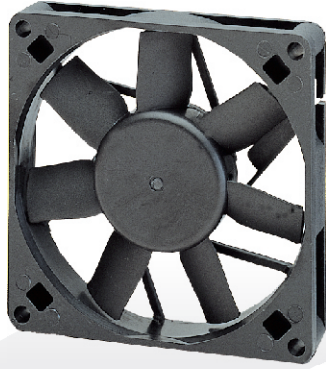




AD8015-7(PWM) SERIES

External Dimensions



Frame:Plastic(UL:94V-0)
 Impeller:Plastic(UL:94V-0)
 Lead wire:UL1061AWG26

Specifications(Nominal)

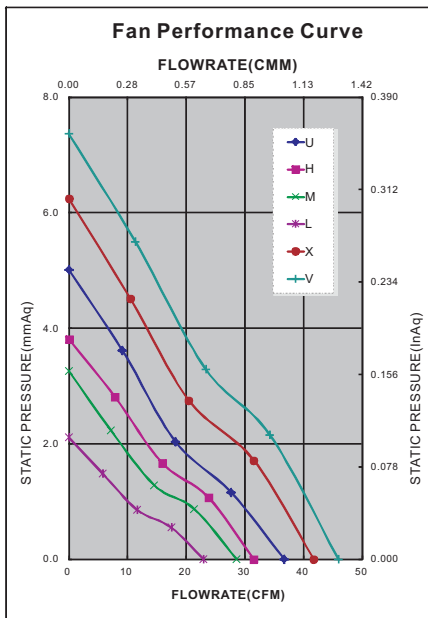
*:Noise is measured at the distance of one (1) meter from the axis of intake.

Frame size (mm)	Model No.	Bearing System Type	Rated Voltage (VDC)	Current (A)	Power (W)	Rated Speed (rpm)	Maximum AirFlow		Maximum Pressure		*Noise Level (dB/A)	Weight (g)
							(CMM)	(CFM)	(InAq)	(mmAq)		
80x80x15	AD0812LB-D7B(NS75)	◎※●	12	0.05	0.60	2500	0.649	22.950	0.084	2.100	25.8	63.0
	AD0812MB-D7B(NS75)	◎※●	12	0.07	0.84	3000	0.810	28.629	0.128	3.251	30.9	
	AD0812HB-D7B(NS75)	◎※●	12	0.09	1.08	3500	0.891	31.500	0.150	3.810	36.5	
	AD0812UB-D7B(NS75)	◎※●	12	0.14	1.68	4000	1.040	36.751	0.197	5.003	39.6	
	AD0812XB-D7B(NS75)	◎※●	12	0.18	2.16	4500	1.182	41.775	0.246	6.248	43.4	
	AD0812VB-D7B(NS75)	◎	12	0.23	2.76	5000	1.301	46.000	0.290	7.366	46.5	

Bearing type: ◎=Ball ※=Sleeve ●=Hypro bearing

Specifications subject to change without notice.

The specification for bearing type is for reference only, for more bearing types information, please contact with your ADDA sales representative, thanks!! (網頁上呈現產品軸承資訊均以2Ball為主, 若需其他產品資訊請聯絡您在ADDA的業務代表, 謝謝!!)



*Motor protective circuit and third lead wire functions

0	1	2	3	4	6	7	8	9	A	B
								✓		✓

*Safety approvals

✓	✓		✓	✓