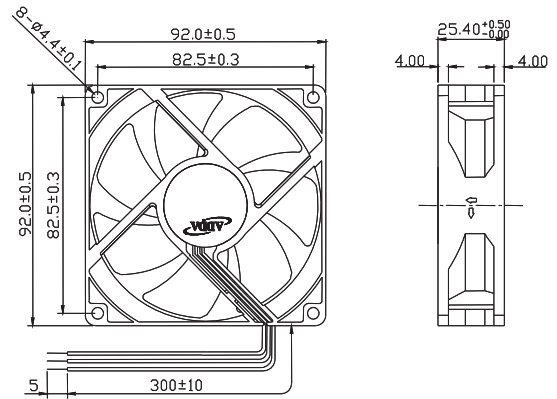




# AG9225G2 SERIES

## External Dimensions



Frame:Plastic(UL:94V-0)  
 Impeller:Plastic(UL:94V-0)  
 Lead wire:UL1007AWG24

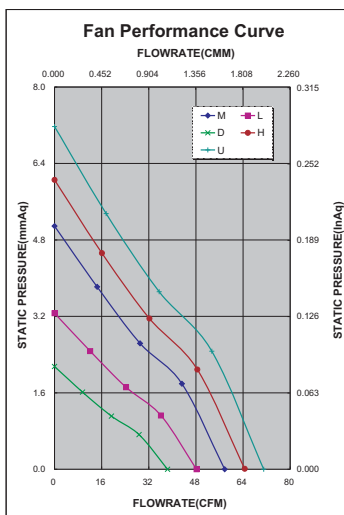
## Specifications(Nominal)

\*Noise is measured at the distance of one (1) meter from the axis of intake.

Bearing type: ⊙=Ball ⊛=Sleeve ●=Hypro bearing

Frame size (mm)	Model No.	Bearing System Type	Rated Voltage (VDC)	Current (A)	Power (W)	Rated Speed (rpm)	Maximum AirFlow (CMM)	Maximum AirFlow (CFM)	Maximum Pressure (InAq)	Maximum Pressure (mmAq)	*Noise Level (dB/A)	Weight (g)
92x92x25	AG09212DB257610	⊙	12	0.13	1.56	2000	1.086	38.366	0.084	2.151	26.3	108
	AG09212LB257610	⊙	12	0.16	1.92	2500	1.365	48.232	0.128	3.266	32.1	
	AG09212MB257610	⊙	12	0.22	2.64	3000	1.635	57.767	0.200	5.090	36.5	
	AG09212HB257610	⊙	12	0.31	3.72	3300	1.828	64.563	0.238	6.057	39.2	
	AG09212UB257610	⊙	12	0.35	4.20	3600	2.010	71.003	0.282	7.172	42.0	
	AG09224DB257610	⊙	24	0.05	1.20	2000	1.086	38.366	0.084	2.151	26.3	
	AG09224LB257610	⊙	24	0.09	2.16	2500	1.365	48.232	0.128	3.266	32.1	
	AG09224MB257610	⊙	24	0.14	3.36	3000	1.635	57.767	0.200	5.090	36.5	
	AG09224HB257610	⊙	24	0.17	4.08	3300	1.828	64.563	0.238	6.057	39.2	
AG09224UB257610	⊙	24	0.18	4.32	3600	2.010	71.003	0.282	7.172	42.0		

Specifications subject to change without notice.



\*Motor protective circuit and third lead wire functions

0	1	2	3	4	6	7	8	9	A	B
✓					✓					

\*Safety approvals

✓	✓		✓	✓