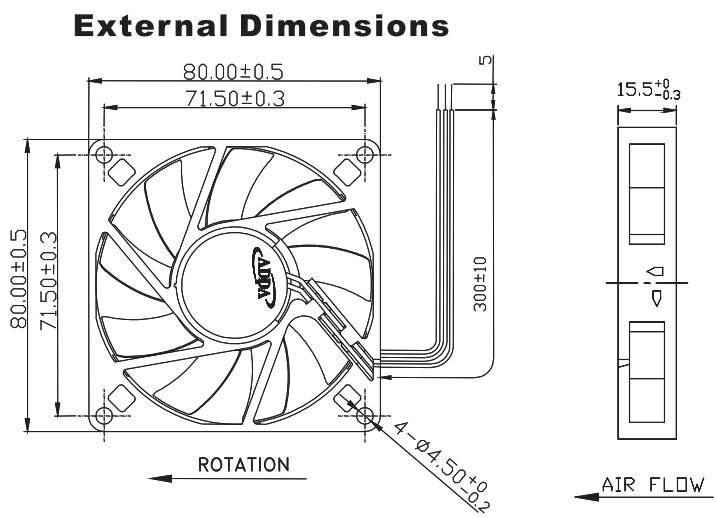


# AD8015GP SERIES



Frame: Plastic(UL:94V-0)  
 Impeller: Plastic(UL:94V-0)  
 Lead wire: UL1007AWG24

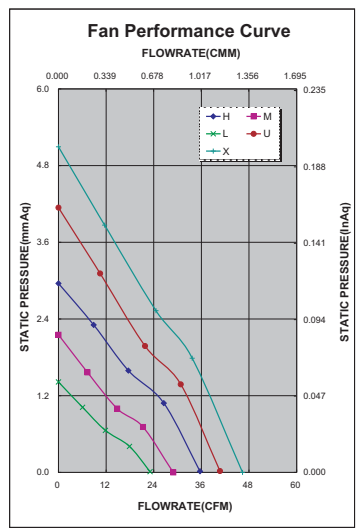
## Specifications(Nominal)

\*Noise is measured at the distance of one (1) meter from the axis of intake.

Frame size (mm)	Model No.	Bearing System Type	Rated Voltage (VDC)	Current (A)	Power (W)	Rated Speed (rpm)	Maximum AirFlow		Maximum Pressure		*Noise Level (dB/A)	Weight (g)
							(CMM)	(CFM)	(InAq)	(mmAq)		
80x80x15	AD0812LB-D93GP	◎※●	12	0.07	0.84	2000	0.640	22.635	0.057	1.447	22.1	
	AD0812MB-D93GP	◎※●	12	0.11	1.32	2500	0.818	28.906	0.085	2.159	29.6	
	AD0812HB-D93GP	◎※●	12	0.13	1.56	3000	1.005	35.522	0.131	3.327	35.3	63.0
	AD0812UB-D93GP	◎※●	12	0.18	2.16	3500	1.151	40.690	0.163	4.140	39.7	
	AD0812XB-D93GP	◎※●	12	0.29	3.48	4000	1.311	46.353	0.197	5.003	42.7	

Specifications subject to change without notice.

The specification for bearing type is for reference only, for more bearing types information, please contact with your ADDA sales representative, thanks!!  
 (網頁上呈現產品軸承資訊均以2Ball為主, 若需其他產品資訊請聯絡您在ADDA的業務代表, 謝謝!!)



\*Motor protective circuit and third lead wire functions

0	1	2	3	4	6	7	8	9	A	B
	✓	✓	✓							

\*Safety approvals

✓	✓		✓	✓