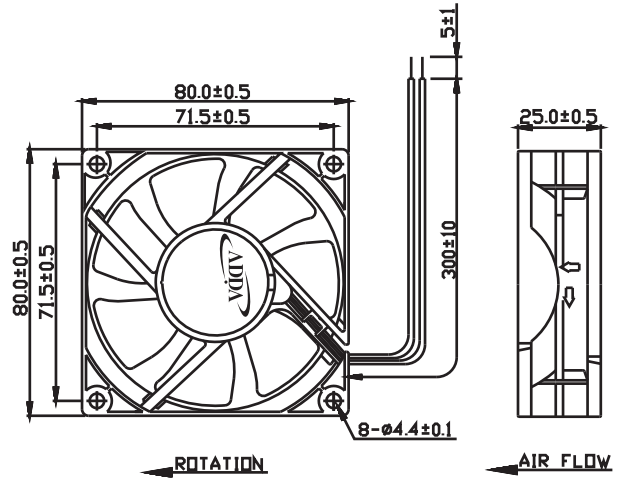




# AQ8025 SERIES

## External Dimensions



Frame:Plastic(UL:94V-0)  
 Impeller:Plastic(UL:94V-0)  
 Lead wire:UL1007AWG24

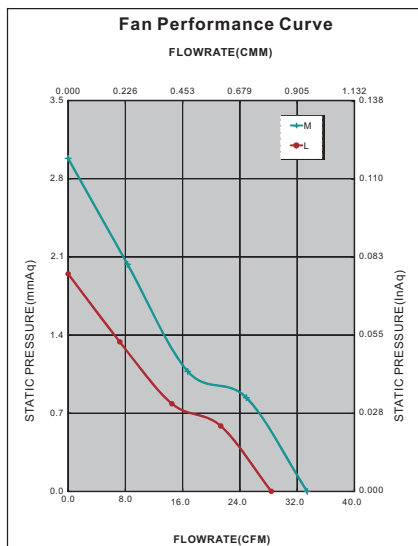
## Specifications(Nominal)

\*:Noise is measured at the distance of one (1) meter from the axis of intake.

Bearing type: ◎=Ball ※=Sleeve ●=Hypro bearing

Frame size (mm)	Model No.	Bearing System Type	Rated Voltage (VDC)	Current (A)	Power (W)	Rated Speed (rpm)	Maximum AirFlow (CMM)	Maximum AirFlow (CFM)	Maximum Pressure (InAq)	Maximum Pressure (mmAq)	*Noise Level (dB/A)	Weight (g)
80x80x25	AQ0812LB-A70GL(TA)	◎	12	0.08	0.96	2100	0.800	28.390	0.080	1.90	22.1	86.0
	AQ0812MB-A70GL(TA)	◎	12	0.12	1.44	2500	0.950	33.400	0.180	2.97	28.3	
	AQ0824LB-A70GL(TA)	◎	24	0.04	0.96	2100	0.800	28.390	0.080	1.90	22.1	
	AQ0824MB-A70GL(TA)	◎	24	0.07	1.68	2500	0.950	33.400	0.180	2.97	28.3	

Specifications subject to change without notice.



\*Motor protective circuit and third lead wire functions

0	1	2	3	4	6	7	8	9	A	B
✓					✓					

\*Safety approvals

✓	✓		✓	✓