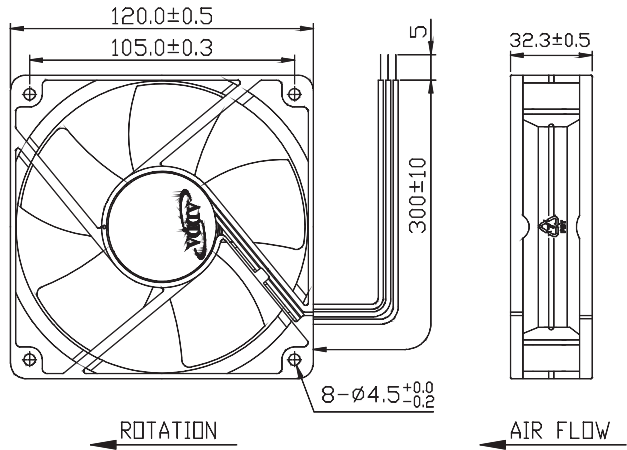
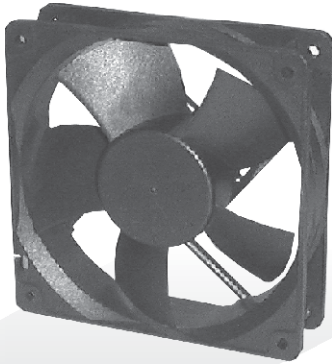




AD12032 ES SERIES

External Dimensions



Frame: Plastic(UL:94V-0)
 Impeller: Plastic(UL:94V-0)
 Lead wire: UL1007AWG24

Specifications(Nominal)

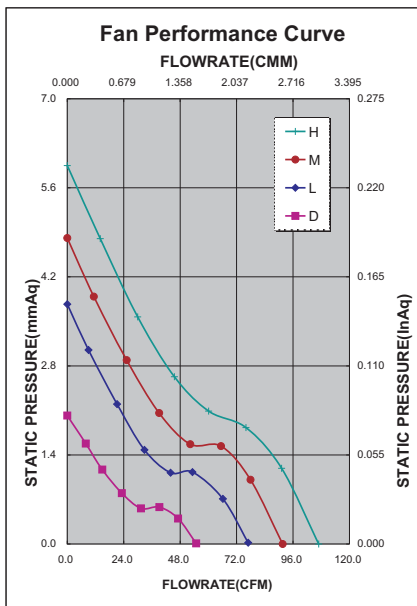
*Noise is measured at the distance of one (1) meter from the axis of intake.

Frame size (mm)	Model No.	Bearing System Type	Rated Voltage (VDC)	Current (A)	Power (W)	Rated Speed (rpm)	Maximum AirFlow		Maximum Pressure		*Noise Level (dB/A)	Weight (g)
							(CMM)	(CFM)	(InAq)	(mmAq)		
120x120x32	AD12012DB325600	⊙	12	0.06	0.72	1450	1.551	54.809	0.079	2.006	25.7	213.0
	AD12012LB325600	⊙	12	0.12	1.44	2000	2.176	76.912	0.148	3.759	35.3	
	AD12012MB325600	⊙	12	0.20	2.40	2400	2.592	91.607	0.189	4.800	40.0	
	AD12012HB325600	⊙	12	0.33	3.96	2750	3.013	106.491	0.234	5.943	45.4	

Bearing type: ⊙=Ball ※=Sleeve ●=Hypro bearing

Specifications subject to change without notice.

The specification for bearing type is for reference only, for more bearing types information, please contact with your ADDA sales representative, thanks!!
 (網頁上呈現產品軸承資訊均以2Ball為主, 若需其他產品資訊請聯絡您在ADDA的業務代表, 謝謝!!)



*Motor protective circuit and third lead wire functions

0	1	2	3	4	6	7	8	9	A	B
✓					✓					

*Safety approvals

✓	✓		✓	✓