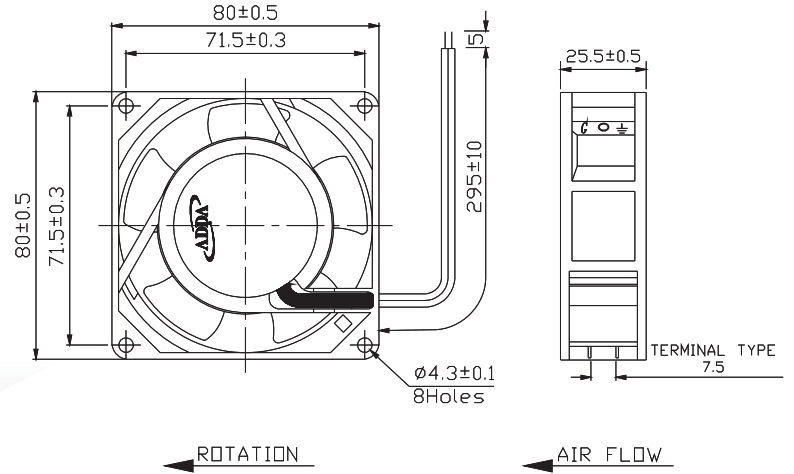




# AA8025 SERIES



## External Dimensions



Frame: Aluminum Alloy  
 Impeller: Plastic (UL: 94V-0)  
 Motor Structure: Shaded Pole Induction Motor.  
 Motor Protection: Impedance Protect.  
 Lead wire: UL 1430 AWG 22  
 Wire Type: -AT Terminal / -AW Wires  
 OPERATING TEMP\*: -10°C ~ 70°C  
 \*: -10°C ~ 60°C for fans with sleeve/ball combination bearings.

## Specifications (Nominal)

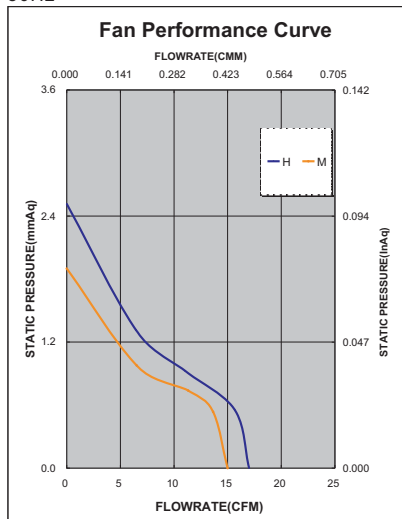
Frame size (mm)	Model No.	Bearing System Type	Volt. (VAC)	Freq. (Hz)	Current (A)	Power (W)	Rated Speed (rpm)	Maximum AirFlow (CMM)	Maximum AirFlow (CFM)	Maximum Pressure (InAq)	Maximum Pressure (mmAq)	*Noise Level (dB/A)	Weight (g)
80x80x25	AA8251MB-AT	◎※	115	50/60	0.13/0.12	13.9/11.8	1900/2500	0.424/0.537	15.0/19.0	0.075/0.118	1.900/3.000	18.3/24.0	210
	AA8252MB-AT	◎※	230	50/60	0.08/0.07	16.1/14.2							
	AA8251HB-AT	◎※	115	50/60	0.08/0.07	7.4/5.80	2300/2800	0.481/0.594	17.0/21.0	0.099/0.125	2.515/3.175	21.2/27.8	
	AA8252HB-AT	◎※	230	50/60	0.07/0.06	15.18/13.11							

Bearing type: ◎=Ball ※=Sleeve ●=Hypro bearing

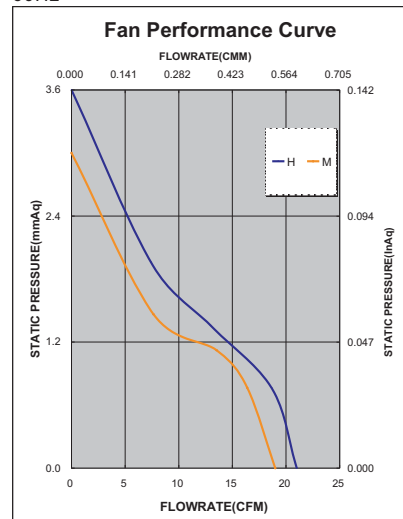
Specifications subject to change without notice.

The specification for bearing type is for reference only, for more bearing types information, please contact with your ADDA sales representative, thanks!! (網頁上呈現產品軸承資訊均以2Ball為主, 若需其他產品資訊請聯絡您在ADDA的業務代表, 謝謝!!)

50Hz



60Hz



\*Safety approvals

✓	✓		✓	✓