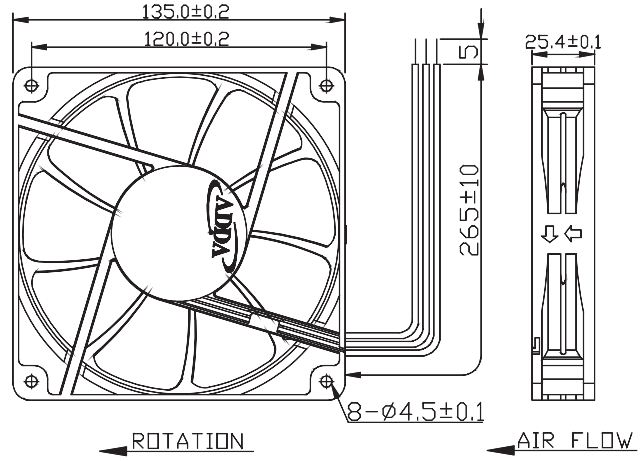




AD13525 ES SERIES

External Dimensions



Frame:Plastic(UL:94V-0)
 Impeller:Plastic(UL:94V-0)
 Lead wire:UL1007AWG24

Specifications(Nominal)

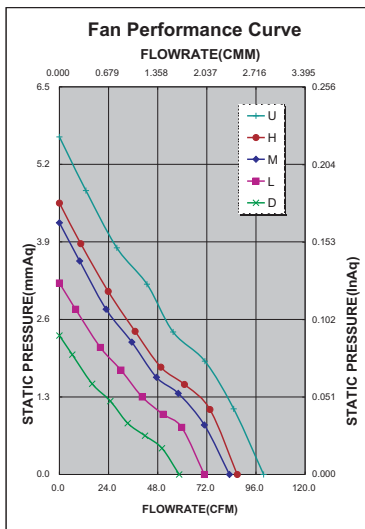
*Noise is measured at the distance of one (1) meter from the axis of intake.

Frame size (mm)	Model No.	Bearing System Type	Rated Voltage (VDC)	Current (A)	Power (W)	Rated Speed (rpm)	Maximum AirFlow		Maximum Pressure		*Noise Level (dB/A)	Weight (g)
							(CMM)	(CFM)	(InAq)	(mmAq)		
135x135x25	AD13512DB259600	⊙	12	0.07	0.84	1500	1.655	58.496	0.092	2.336	28.0	220.0
	AD13512LB259600	⊙	12	0.12	1.44	1800	2.004	70.834	0.126	3.200	33.9	
	AD13512MB259600	⊙	12	0.16	1.92	2050	2.350	83.040	0.166	4.216	37.9	
	AD13512HB259600	⊙	12	0.18	2.16	2200	2.457	86.854	0.179	4.546	39.6	
	AD13512UB259600	⊙	12	0.29	3.48	2500	2.822	99.736	0.223	5.664	42.8	

Bearing type: ⊙=Ball ※=Sleeve ●=Hypro bearing

Specifications subject to change without notice.

The specification for bearing type is for reference only , for more bearing types information, please contact with your ADDA sales representative, thanks!!
 (網頁上呈現產品軸承資訊均以2Ball為主，若需其他產品資訊請聯絡您在ADDA的業務代表，謝謝！！)



*Motor protective circuit and third lead wire functions

0	1	2	3	4	6	7	8	9	A	B
✓					✓					

*Safety approvals

✓	✓		✓	✓