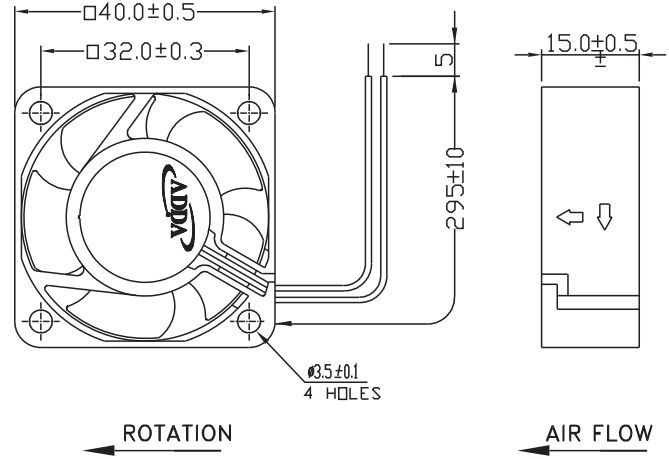




AD4015 SERIES

External Dimensions



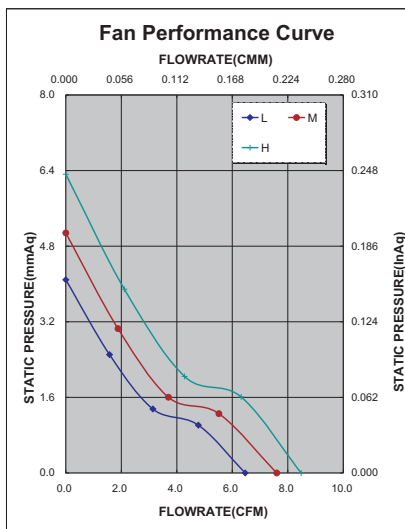
Frame:Plastic(UL:94V-0)
 Impeller:Plastic(UL:94V-0)
 Lead wire:UL1007AWG26

Specifications(Nominal)

*:Noise is measured at the distance of one (1) meter from the axis of intake.
 Bearing type: ◎=Ball ※=Sleeve ●=Hypro bearing

Frame size (mm)	Model No.	Bearing System Type	Rated Voltage (VDC)	Current (A)	Power (W)	Rated Speed (rpm)	Maximum AirFlow (CMM)	Maximum AirFlow (CFM)	Maximum Pressure (InAq)	Maximum Pressure (mmAq)	*Noise Level (dB/A)	Weight (g)
40x40x15	AD0412LB-D51	◎	12	0.07	0.84	6000	0.183	6.469	0.161	4.089	25.8	27.0
	AD0412MB-D51	◎	12	0.09	1.08	7000	0.215	7.600	0.200	5.080	31.8	
	AD0412HB-D51	◎	12	0.11	1.32	8000	0.240	8.484	0.249	6.324	36.0	

Specifications subject to change without notice.



*Motor protective circuit and third lead wire functions

0	1	2	3	4	6	7	8	9	A	B
✓	✓	✓	✓		✓					

*Safety approvals

✓	✓		✓	✓