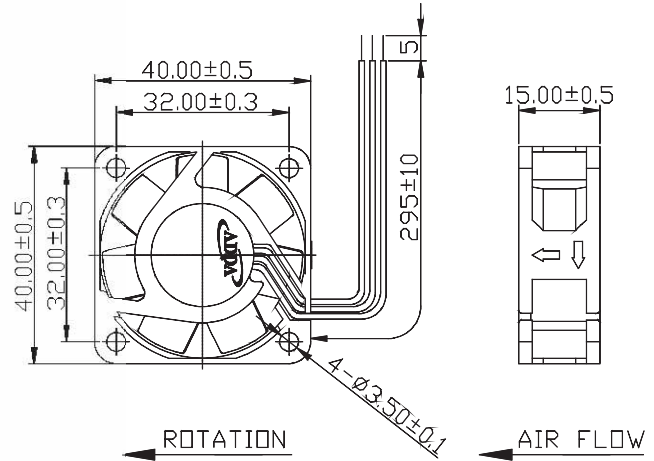




# AD4015 SERIES

## External Dimensions



Frame: Plastic(UL:94V-0)  
 Impeller: Plastic(UL:94V-0)  
 Lead wire: UL1007AWG26

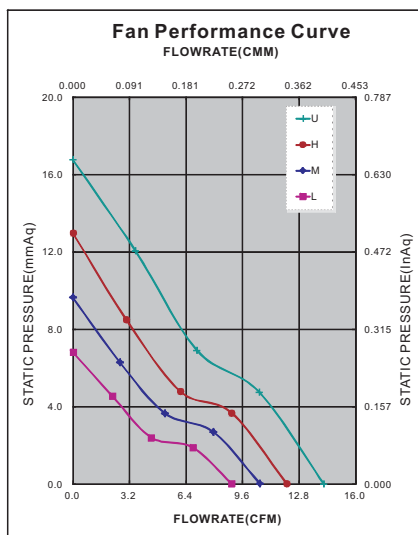
## Specifications(Nominal)

\*Noise is measured at the distance of one (1) meter from the axis of intake.

Bearing type: ◎=Ball ※=Sleeve ●=Hypro bearing

| Frame size (mm) | Model No.         | Bearing System Type | Rated Voltage (VDC) | Current (A) | Power (W) | Rated Speed (rpm) | Maximum AirFlow (CMM) | Maximum AirFlow (CFM) | Maximum Pressure (InAq) | Maximum Pressure (mmAq) | *Noise Level (dB/A) | Weight (g) |
|-----------------|-------------------|---------------------|---------------------|-------------|-----------|-------------------|-----------------------|-----------------------|-------------------------|-------------------------|---------------------|------------|
| 40x40x15        | AD0412LB-D71GP(P) | ◎                   | 12                  | 0.12        | 1.44      | 7000              | 0.255                 | 9.000                 | 0.270                   | 6.858                   | 31.5                | 24.0       |
|                 | AD0412MB-D71GP(P) | ◎                   | 12                  | 0.16        | 1.92      | 8300              | 0.299                 | 10.600                | 0.380                   | 9.652                   | 37.0                |            |
|                 | AD0412HB-D71GP(P) | ◎                   | 12                  | 0.19        | 2.28      | 9500              | 0.342                 | 12.100                | 0.510                   | 12.954                  | 40.5                |            |
|                 | AD0412UB-D71GP(P) | ◎                   | 12                  | 0.23        | 2.76      | 11000             | 0.401                 | 14.200                | 0.660                   | 16.764                  | 44.0                |            |

Specifications subject to change without notice.



\*Motor protective circuit and third lead wire functions

| 0 | 1 | 2 | 3 | 4 | 6 | 7 | 8 | 9 | A | B |
|---|---|---|---|---|---|---|---|---|---|---|
|   | ✓ | ✓ | ✓ |   |   |   |   | ✓ |   | ✓ |

\*Safety approvals

|   |   |  |   |   |
|---|---|--|---|---|
|   |   |  |   |   |
| ✓ | ✓ |  | ✓ | ✓ |