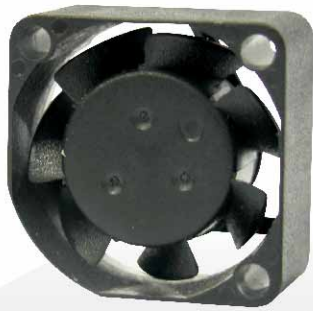
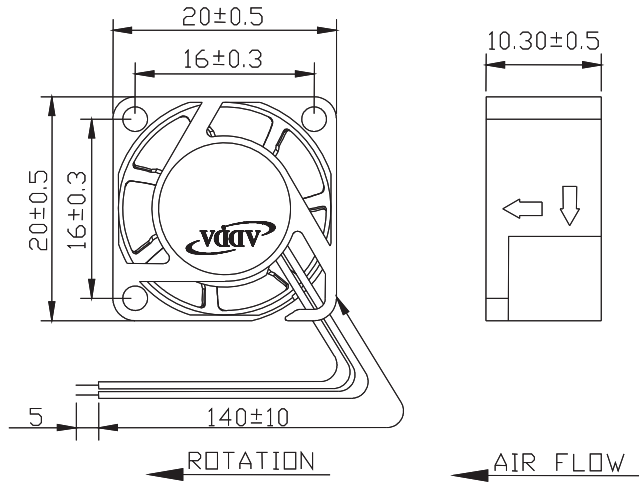




AG2010 SERIES



External Dimensions



Frame:Plastic(UL:94V-0)
 Impeller:Plastic(UL:94V-0)
 Lead wire:UL1571AWG28

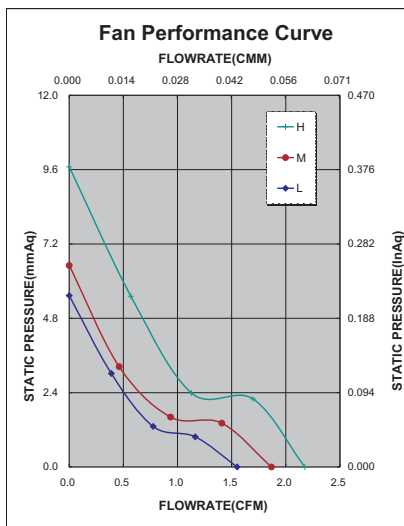
Specifications(Nominal)

*Noise is measured at the distance of one (1) meter from the axis of intake.

Bearing type: ⊙=Ball ⊛=Sleeve ●=Hypro bearing

Frame size (mm)	Model No.	Bearing System Type	Rated Voltage (VDC)	Current (A)	Power (W)	Rated Speed (rpm)	Maximum AirFlow (CMM)	Maximum AirFlow (CFM)	Maximum Pressure (InAq)	Maximum Pressure (mmAq)	*Noise Level (dB/A)	Weight (g)
20x20x10	AG02005LX107100	●	5	0.080	0.40	12000	0.042	1.500	0.210	5.334	23.0	4.8
	AG02005MX107100	●	5	0.110	0.55	14000	0.050	1.800	0.260	6.604	26.0	
	AG02005HX107100	●	5	0.150	0.75	16000	0.058	2.100	0.380	9.652	30.0	

Specifications subject to change without notice.



*Motor protective circuit and third lead wire functions

0	1	2	3	4	6	7	8	9	A	B
	✓		✓							

*Safety approvals

✓	✓		✓	✓