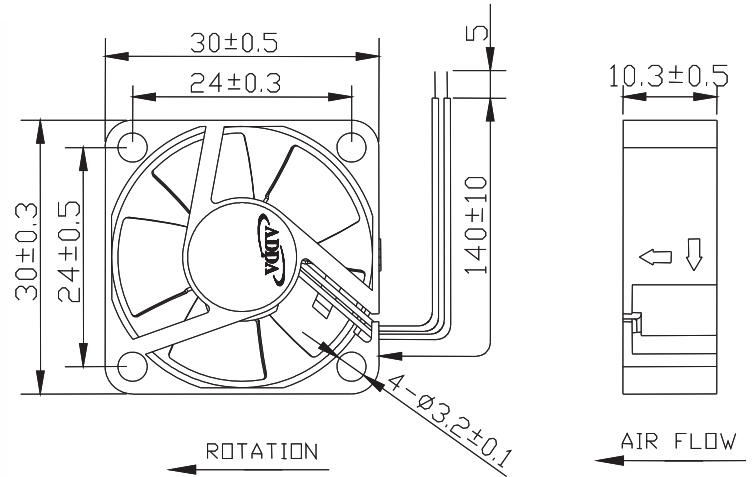




# AG3010 SERIES



## External Dimensions



Frame:Plastic(UL:94V-0)  
 Impeller:Plastic(UL:94V-0)  
 Lead wire:UL 1507AWG28

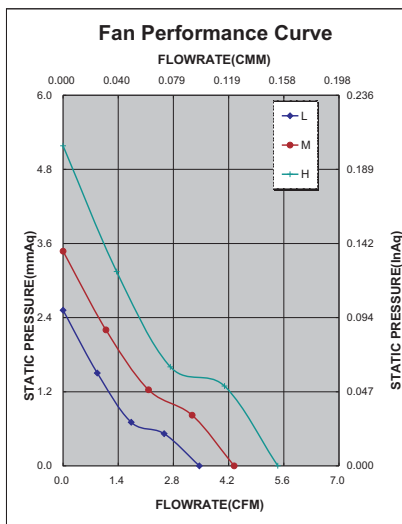
## Specifications(Nominal)

\*Noise is measured at the distance of one (1) meter from the axis of intake.

Bearing type: ⊙=Ball ⊛=Sleeve ●=Hypro bearing

Frame size (mm)	Model No.	Bearing System Type	Rated Voltage (VDC)	Current (A)	Power (W)	Rated Speed (rpm)	Maximum AirFlow (CMM)	Maximum AirFlow (CFM)	Maximum Pressure (InAq)	Maximum Pressure (mmAq)	*Noise Level (dB/A)	Weight (g)
30x30x10	AG03005LX105100	⊙ ●	5	0.07	0.35	6500	0.096	3.400	0.090	2.286	18.0	6.5
	AG03005MX105100	⊙ ●	5	0.11	0.55	8000	0.121	4.300	0.130	3.300	23.0	
	AG03005HX105100	⊙ ●	5	0.13	0.65	9500	0.152	5.400	0.200	5.080	29.0	
	AG03012HX105100	⊙ ●	12	0.12	1.44	11000	0.165	5.850	0.240	6.100	32.0	

Specifications subject to change without notice.



\*Motor protective circuit and third lead wire functions

0	1	2	3	4	6	7	8	9	A	B
	✓		✓							

\*Safety approvals

				✓