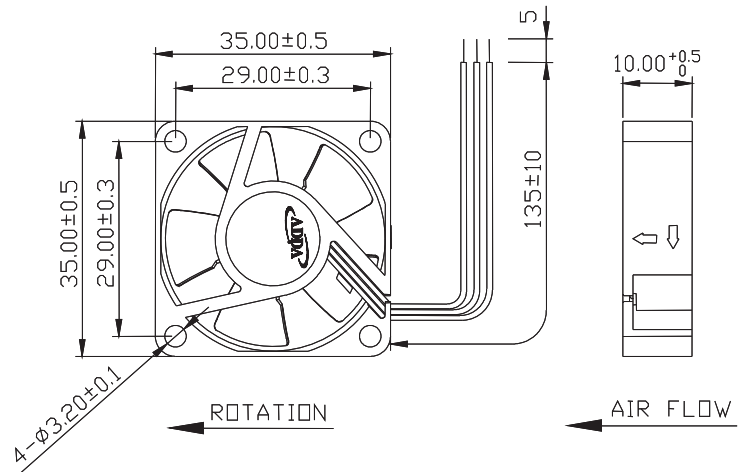




AG3510 SERIES

External Dimensions



Frame:Plastic(UL:94V-0)
 Impeller:Plastic(UL:94V-0)
 Lead wire:UL 1507AWG28

Specifications(Nominal)

*Noise is measured at the distance of one (1) meter from the axis of intake.

Bearing type: ○=Ball ✖=Sleeve ●=Hypro bearing

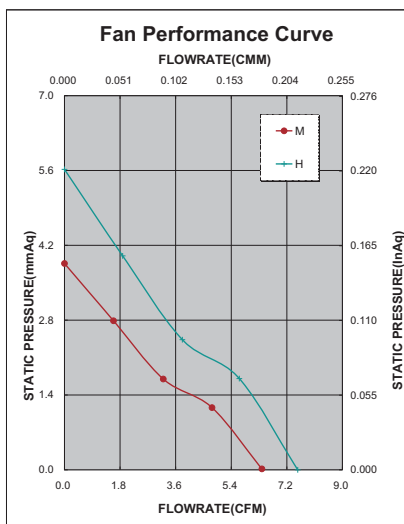
Frame size (mm)	Model No.	Bearing System Type	Rated Voltage (VDC)	Current (A)	Power (W)	Rated Speed (rpm)	Maximum AirFlow (CMM)	Maximum AirFlow (CFM)	Maximum Pressure (InAq)	Maximum Pressure (mmAq)	*Noise Level (dB/A)	Weight (g)
35x35x10	AG03512MX105301	●	12	0.070	0.840	7500	0.156	5.500	0.134	3.410	29.0	9.0
	AG03512HX105301	●	12	0.118	1.416	9500	0.198	7.000	0.215	5.470	35.0	

Specifications subject to change without notice.

The models AG03512MX105300 have safety certification as UL, CUL, TUV and CE. The rest models only have CE certification at moment

If you wish to have other safety certification for the rest models, please contact our sales rep. Thank you!

(型號中AG03512MX105300安規有UL.CUL.TUV.CE其它機種安規只有CE” 若需其它安規請聯絡您在ADDA的業務代表,謝謝)



*Motor protective circuit and third lead wire functions

0	1	2	3	4	6	7	8	9	A	B
	✓		✓							

*Safety approvals

UL	UL C	SP	CE	Other
✓	✓		✓	✓