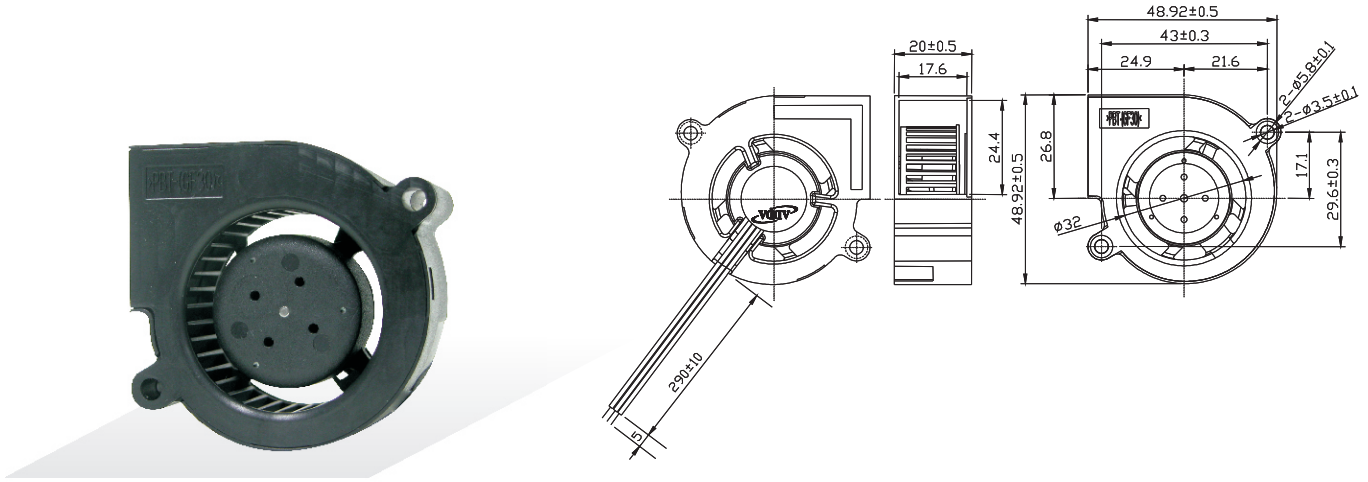


External Dimensions



Frame:Plastic(UL:94V-0)
 Impeller:Plastic(UL:94V-0)
 Lead wire:UL 1007AWG26

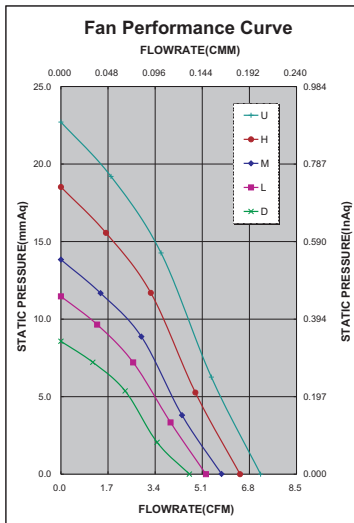
Specifications(Nominal)

*:Noise is measured at the distance of one (1) meter from the axis of intake.

Bearing type: ○=Ball ✳=Sleeve ●=Hypro bearing

Frame size (mm)	Model No.	Bearing System Type	Rated Voltage (VDC)	Current (A)	Power (W)	Rated Speed (rpm)	Maximum AirFlow (CMM)	Maximum AirFlow (CFM)	Maximum Pressure (InAq)	Maximum Pressure (mmAq)	*Noise Level (dB/A)	Weight (g)
50x50x20	AB05012DB200300	○	12	0.08	0.96	3700	0.131	4.634	0.337	8.559	25.6	30.0
	AB05012LB200300	○	12	0.12	1.44	4200	0.148	5.231	0.451	11.455	30.1	
	AB05012MB200300	○	12	0.16	1.92	4700	0.163	5.794	0.544	13.817	33.5	
	AB05012HB200300	○	12	0.19	2.28	5200	0.182	6.432	0.729	18.516	36.4	
	AB05012UB200300	○	12	0.25	3.00	5700	0.203	7.203	0.893	22.682	39.5	
	AB05024MB200300	○	24	0.06	1.44	4700	0.163	5.794	0.544	13.817	33.5	
	AB05024HB200300	○	24	0.10	2.40	5200	0.182	6.432	0.729	18.516	36.4	
	AB05024UB200300	○	24	0.12	2.88	5700	0.203	7.203	0.893	22.682	39.5	

Specifications subject to change without notice.



*Motor protective circuit and third lead wire functions

0	1	2	3	4	6	7	8	9	A	B
	✓	✓	✓							

*Safety approvals

✓	✓		✓	✓