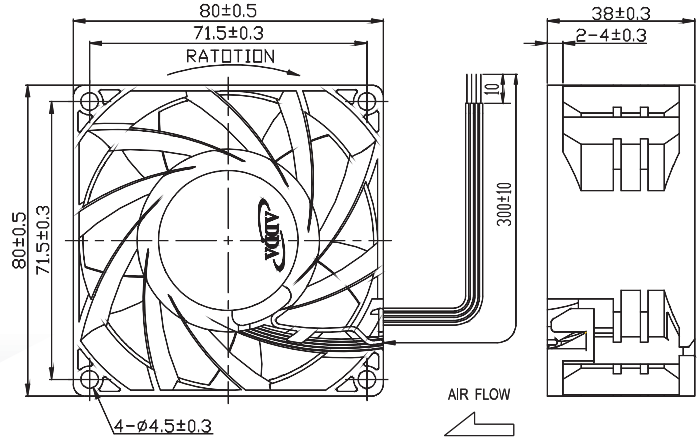


# ◀ AS8038(5) SERIES



## External Dimensions



Frame:Plastic(UL:94V-0)  
 Impeller:Plastic(UL:94V-0)  
 Lead wire:UL1430AWG22/24

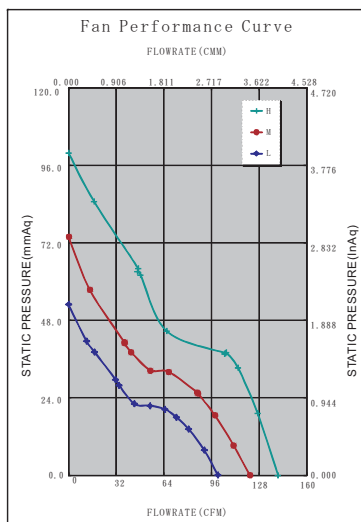
## Specifications(Nominal)

\*:Noise is measured at the distance of one (1) meter from the axis of intake.

Bearing type: ◎=Ball ※=Sleeve ●=Hypro bearing

Frame size (mm)	Model No.	Bearing System Type	Rated Voltage (VDC)	Current (A)	Power (W)	Rated Speed (rpm)	Maximum AirFlow (CMM)	Maximum AirFlow (CFM)	Maximum Pressure (InAq)	Maximum Pressure (mmAq)	*Noise Level (dB/A)	Weight (g)
80x80x38	AS08012LB385BB2	◎	12	1.45	17.40	9500	2.842	100.366	2.080	52.840	65.4	219.0
	AS08012MB385BB2	◎	12	2.30	27.60	11500	3.450	121.825	2.910	73.910	67.6	
	AS08012HB385BB2	◎	12	4.10	49.20	13500	3.988	140.847	3.928	99.780	71.6	
	AS08024LB385BB2	◎	24	0.75	18.00	9500	2.842	100.366	2.080	52.840	65.4	
	AS08024MB385BB2	◎	24	1.19	28.56	11500	3.450	121.825	2.910	73.910	67.6	
	AS08024HB385BB2	◎	24	1.88	45.12	13500	3.988	140.847	3.928	99.780	71.6	
	AS08048LB385BB2	◎	48	0.40	19.20	9500	2.842	100.366	2.080	52.840	65.4	
	AS08048MB385BB2	◎	48	0.64	30.72	11500	3.450	121.825	2.910	73.910	67.6	
AS08048HB385BB2	◎	48	1.14	54.72	13500	3.988	140.847	3.928	99.780	71.6		

Specifications subject to change without notice.



\*Motor protective circuit and third lead wire functions

0	1	2	3	4	6	7	8	9	A	B
	✓	✓	✓							✓

\*Safety approvals

✓	✓		✓	✓